

## Operating Principles

The Solinst Tag Line uses a weight clipped to a polyethylene coated, permanently marked, stainless steel wireline. The weight provides a simple method to measure the depth to the bottom of a well, or the depth to the top of a backfill sand or bentonite layer.

The Tag Line weight is lowered until the cable goes slack, indicating it has reached bottom. The cable is gently pulled up to remove the slack and the measurement is taken from the top of casing or the Tape Guide measurement point.

The weight clips off the cable, which allows it to be used for other applications, such as bailer, pump, datalogger, or packer deployment.

**Note:** The Tag Line Reel is not recommended for heavy lift applications (i.e. 4 ft Pumps, and 3 or 4 ft stainless steel Bailers). The reel is just meant to be used as a cable storage device. When the Tag Line is used as a retrieval device, there may be enough strain and tension on the line to damage the reel if not properly operated. It is recommended that a second person pull the line up as it is wound onto the reel.

## Using the Tape Guide

1. The Tape Guide has been designed to:
  - Improve accuracy when reading depths and easily obtain repeatable measurements,
  - Prevent cable from being cut by well casing,
  - Allow the cable and weight (bailer, pump, etc.) to hang straight from the side of the well.
2. Feed the cable into and out of the well using the groove in the top of the Tape Guide.
3. For ease of operation the Tape Guide can be used to support the Tag Line. Simply fit the small end of the Tape Guide onto the edge of the well casing (2" or 50 mm dia. or larger). Insert the leg of the Tag Line into the hole on the Tape Guide and rest the Tag Line on the side of the well casing.

## Routine Care

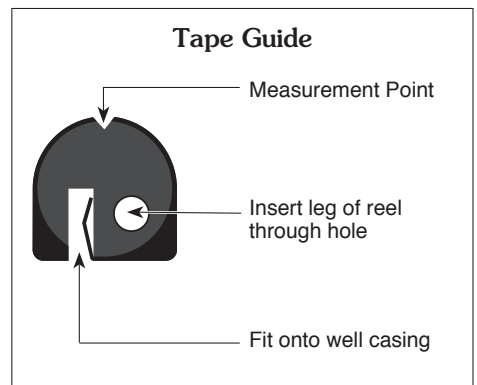
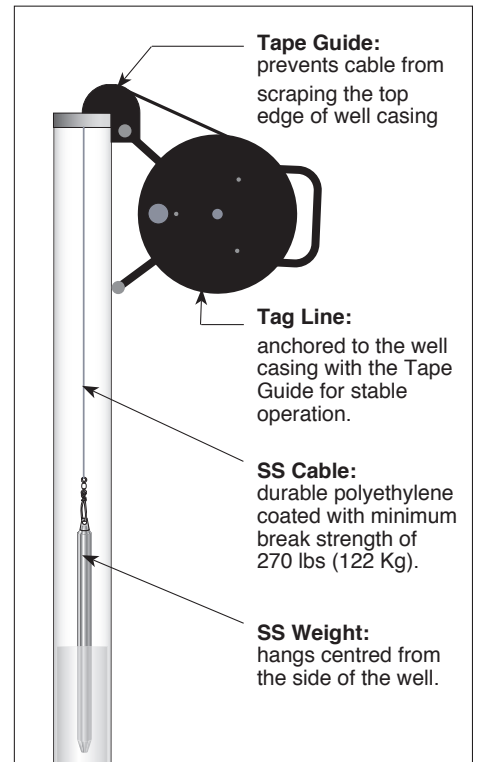
1. After use, the cable should be carefully rewound onto the reel, the weight wiped dry and placed into the weight holder.
2. The weight, cable, and reel can be cleaned with a phosphate free (non-abrasive) detergent and warm water.
3. Use of a carrying bag adds to the service life of the Tag Line.
4. Use of the Tape Guide adds to the life of the cable.

## Replacement Parts

The following parts (with instructions) can be provided should the parts become lost or damaged.

1. Weights
2. Reels
3. Replacement cables
4. Splice kits

**Note:** To store the Tape Guide, simply clip it onto the support bracket located on the back of the Tag Line.



**Note:** When using the Tape Guide, the measuring point is offset from the top of casing. To adjust your measurements to the top of the casing, subtract the amount indicated on the front of the Tape Guide (i.e. 6 cm or 2/10 ft).



**TTT Environmental**  
Instruments and Supplies

*The preferred source for instrument  
Rentals, Sales, Service and Supplies!*

4201 B Street  
Anchorage, AK 99503  
(907) 770-9041

[www.tttenviro.com](http://www.tttenviro.com)

25420 74<sup>th</sup> Avenue S.  
Kent, WA 98032  
(253) 373-9041

[info@tttenviro.com](mailto:info@tttenviro.com)