



MOA SERIES

PSC 4 POLE AC

50 PSI MAX. PRESSURE, 24" HG MAX. VACUUM,
.52 CFM OPEN FLOW (60Hz)

PSC 2 POLE AC

50 PSI MAX. PRESSURE, 24" HG MAX. VACUUM,
.80 CFM OPEN FLOW (60Hz)

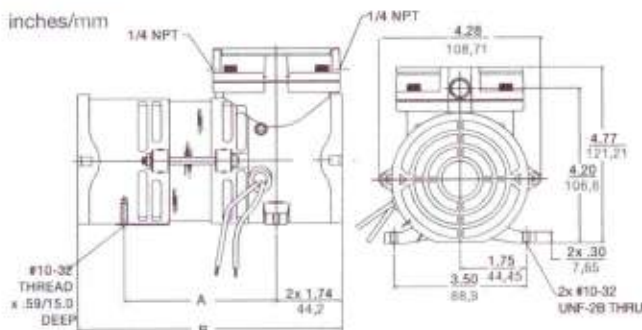
DC LOW SPEED DC

50 PSI MAX. PRESSURE, 24" HG MAX. VACUUM,
.56 CFM OPEN FLOW

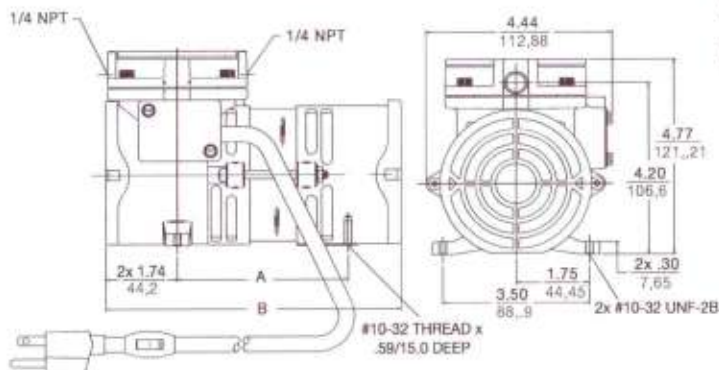
HIGH SPEED DC

50 PSI MAX. PRESSURE, 24" HG MAX. VACUUM,
.81 CFM OPEN FLOW

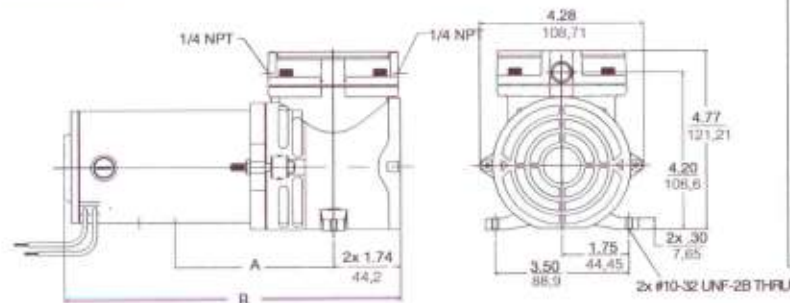
AC Models



AC Models (+ with electrical box)



DC Models



PRODUCT FEATURES

- Oilless operation
- Motor-mounted
- Rugged construction
- Low maintenance

INCLUDES

- Capacitors for PSC motors: AG331 (FB, HB and HD motors), AF873A (FD motor)

RECOMMENDED ACCESSORIES

- Pressure gauge AF583 / Vacuum gauge AA640
- Pressure relief valve AF887 / Vacuum relief valve AA550C-V
- Rubber feet AG505
- Repair Kit K309 for all diaphragm units but MOA-P109-AA, which uses Repair Kit K309A

	A Dimension Inches & Metric		B Dimensions Inches & Metric	
MOA-P101-AA	4.09	103,89	7.09	180,09
+MOA-P109-AA	4.09	103,89	7.09	180,09
MOA-V112-AE	4.09	103,76	7.09	180,09
+MOA-V113-AE	4.09	103,89	7.09	180,09
MOA-P101-CA	4.59	116,59	7.59	192,79
+MOA-P109-CA	4.59	116,59	7.59	192,79
MOA-P101-CD	4.59	116,59	7.59	192,79
MOA-V111-CD	4.59	116,59	7.59	192,79
MOA-P108-FB	4.09	103,89	7.09	180,09
MOA-V112-FB	4.09	103,89	7.09	180,09
MOA-P108-FD	4.09	103,89	7.09	180,09
MOA-V112-FD	4.09	103,89	7.09	180,09
MOA-P108-HB	4.59	116,59	7.59	192,79
MOA-P108-HD	4.59	116,59	7.59	192,79
MOA-P101-JH	4.16	105,66	8.84	224,54
MOA-V111-JH	4.16	105,66	8.84	224,54
MOA-P101-JK	4.16	105,66	8.84	224,54
MOA-V111-JK	4.16	105,66	8.84	224,54
MOA-V111-KH	4.16	105,66	8.76	222,50
MOA-P101-KH	4.16	105,66	8.76	222,50

+ with electrical box

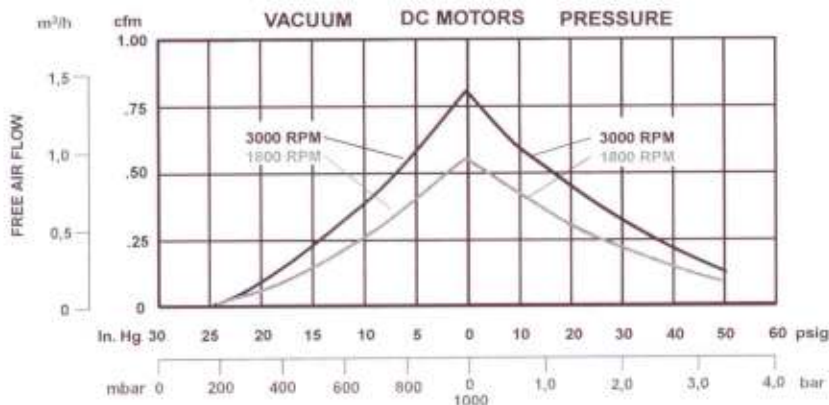
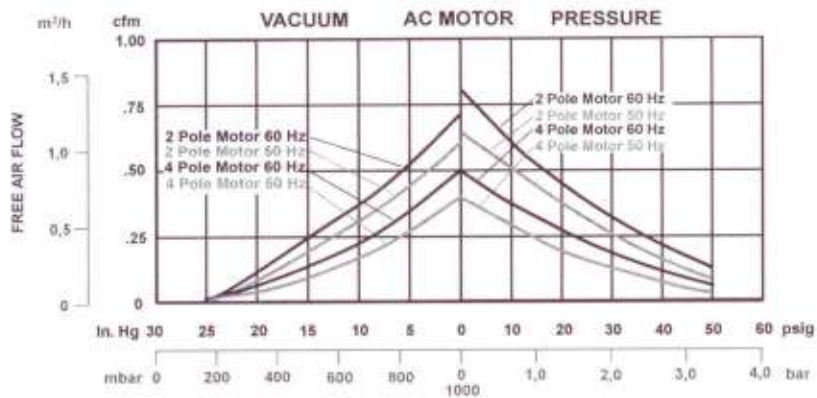


Product Specifications

Model Number	Motor	Motor Type	RPM		HP	kW	Net Wt.		Regulatory
			60 Hz	50 Hz			lbs.	kg.	
MOA-P101-AA	115-60-1	Shaded Pole	1575	-----	1/16	0,05	5,63	2,56	cUR/CE
MOA-P101-CA	115-60-1	Shaded Pole	1575	-----	1/16	0,05	5,63	2,56	cUR
MOA-P101-CD	220/230-50/60-1	Shaded Pole	1575	1275	1/16	0,05	5,63	2,56	CSA/CE
MOA-P101-JH	12 Volt	DC		1800	1/16	0,05	5,63	2,56	CE
MOA-P101-KH	12 Volt	DC		3000	1/8	0,09	5,63	2,56	CE
MOA-P101-JK	24 Volt	DC		1800	1/16	0,05	5,63	2,56	CE
**MOA-P108-FB	110/115-50/60-1	PSC (2 Pole)	3000	2500	1/8	0,09	5,63	2,56	CE
**MOA-P108-FD	220/230-50/60-1	PSC (2 Pole)	3000	2500	1/8	0,09	5,63	2,56	CSA/CE
**MOA-P108-HB	110/115-50/60-1	PSC (4 Pole)	1575	1275	1/16	0,05	5,63	2,56	cUR/CE
**MOA-P108-HD	230/220-60/50-1	PSC	1575	1275	1/16	0,05	5,63	2,56	CSA/CE
*MOA-P109-AA	115-60-1	Shaded Pole	1575	-----	1/16	0,05	5,63	2,56	UR/CSA
*MOA-P109-CA	115-60-1	Shaded Pole	1575	-----	1/16	0,05	5,63	2,56	UR
MOA-V111-JH	12 Volt	DC		1800	1/16	0,05	5,63	2,56	
MOA-V111-KH	12 Volt	DC		3000	1/8	0,09	5,63	2,56	CE
MOA-V111-JK	24 Volt	DC		1800	1/16	0,05	5,63	2,56	CE
MOA-V111-CD	220/230-50/60-1	Shaded Pole	1575	1275	1/16	0,05	5,63	2,56	CSA/CE
MOA-V112-AE	110/115-50/60-1	Shaded Pole	1575	1275	1/16	0,05	5,63	2,56	CSA/CE
**MOA-V112-FB	110/115-50/60-1	PSC (2 Pole)	3000	2500	1/8	0,09	5,63	2,56	CSA
**MOA-V112-FD	220/230-50/60-1	PSC (2 Pole)	3000	2500	1/8	0,09	5,63	2,56	CSA/CE
*MOA-V113-AE	110/115-50/60-1	Shaded Pole	1575	1275	1/16	0,05	5,63	2,56	CSA

CSA approved by Canadian Standards Association.
 cUR - UL recognized for use in Canada
 CE conforms to European Standards
 UL UR recognized.
 * Cord, switch & plug assembly
 **Capacitor shipped not attached

Product Performance (Metric, U.S.)



TTT Environmental
 Instruments and Supplies

*The preferred source for instrument
 Rentals, Sales, Service and Supplies!*

4201 B Street
 Anchorage, AK 99503
 (907) 770-9041

www.tttenviro.com

25420 74th Avenue S.
 Kent, WA 98032
 (253) 373-9041

info@tttenviro.com